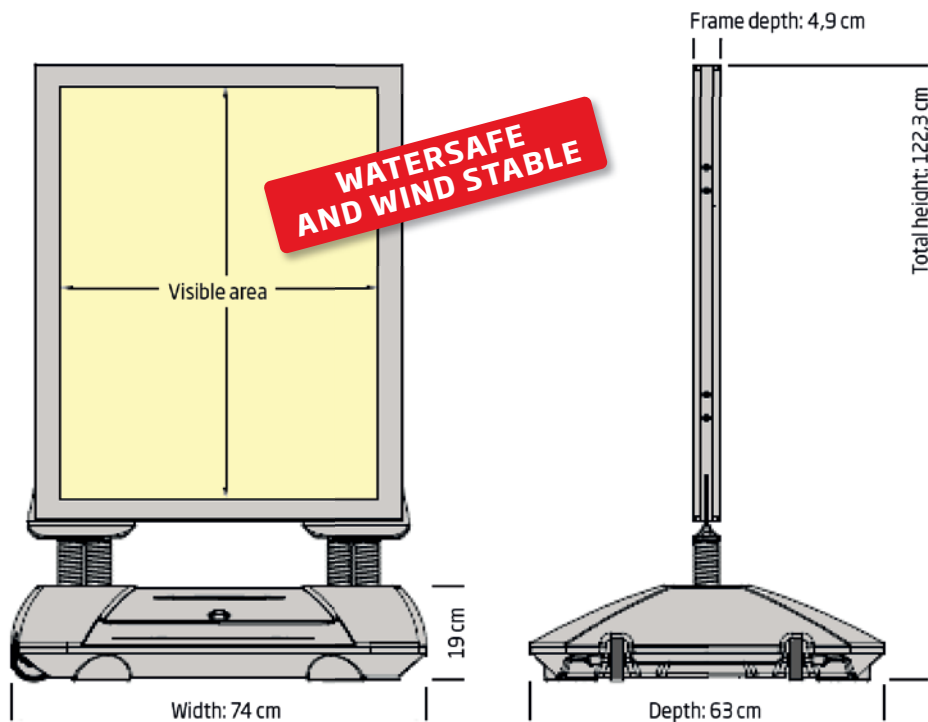




Stylish doublesided pavement board with LED, which enlightens the message. With lockable front-sheets in polycarbonate. The accompanying P04 Lithium battery provides high power but is very energy efficient. Easily placed and locked. The foot is made of heavy duty plastic and can be filled with water or sand to give a really good stability. Please add anti-freeze if below 0° C. Two wheels make the board easy to move. Easy and fast to assemble.

Stilvolle doppelseitiger Strassenständer mit LED, die extra Blickfang auf die Botschaften geben. Abschliessbaren Frontplatten in Polycarbonat die beide Plakate sicher halten. Die P04 Lithium Akku ist einbegriffen und bietet eine hohe Leistung und ist sehr energieeffizient. Wird einfach platziert und angeschlossen. Der Fuss ist aus schlagfestem Kunststoff hergestellt und kann mit Wasser oder Sand gefüllt werden. Bei Kältegrade mit Frostschutzmittel nachfüllen. 2 Rollen erleichtern den Transport des Ständers. Die Montage ist schnell und einfach.

Stilrent dobbeltsidet gadeskilt med LED lys, som giver ekstra blikfang på budskaber. Frontpaneler i polycarbonat låses i top og side. Inkl. P04 Lithium batteri med høj effekt - og lavt energiforbrug. Batteriet tilsluttes let i kabinet, som kan aflåses. Fod af slagfast plast - kan fyldes med vand/sand for virkelig god stabilitet. I tilfælde af frost, påfyldes frostvæske. To hjul gør det nemt at flytte skiltet. Let og hurtigt at samle.



ACTIVATING THE REMOTE CONTROL

1. Press the **ON**-button on the remote
2. Turn the switch next to the battery in the sign to **1** (on)
3. Press and hold the **ON**-button on the remote for 5 seconds
4. Turn the switch next to the battery in the sign to **0** (off) - wait 5 sec.
5. Turn the switch next to the battery in the sign to **1** (on) again
6. Press the **ON**-button on the remote
7. The frame should now blink 3 times and light up
8. The frame is now ready to be remotely controlled



PROGRAMMIERUNG DER FERNBEDIENUNG

- 1: Der Akku am LED Stand muss angeschlossen sein, gemäß Anleitung.
- 2: Nehmen Sie die Fernbedienung in die Hand und schalten Sie den LED Stand ein auf Position **I**.
- 3: Halten Sie den **ON**-Knopf auf der Fernbedienung 5 Sekunden gedrückt.
- 4: Danach schalten Sie am LED-Stand den Schalter um auf **0** und warten 5 Sekunden.
- 5: Nach 5 Sekunden schalten Sie den LED-Stand wieder ein auf Position **I**.
- 6: Drücken Sie den **ON**-Knopf auf der Fernbedienung.
- 7: Der LED-Stand wird jetzt 3 x blinken und danach konstant leuchten.
- 8: Die Fernbedienung ist jetzt aktiviert. Viel Spaß mit Ihrem neuen LED-Stand.

Model	Art.no.	Poster size	- visible area	Weight (filled)	Power	Total W x H x D	Package size and weight	Pallet size and quantity
550	4188	59,4 x 84,1 cm	A1 56,8 x 81,7 cm	35 kg	30 W	74 x 124 x 63 cm	61x75x18 + 72x118x5 cm 15 kg	80 x 120 x 220 cm 8 pcs.

INTRODUCTION

- LED Wind-Sign Waterbase is a unique solution for an illuminated pavement sign with battery. The front view with a flat surface gives a trendy and esthetic look. Chrome coated alloy provides, mitted but yet, soft finish corners.
- The front cover is from 2 mm UV resistant Polycarbonate. It is well known for its impact resistance and long term use in the outdoor conditions.
- The border framing / pass partout effect is given by 40 mm black silk screen printing.
- The backing is from double 4 mm acrylic. It is laser processed and dotted for a uniform and homogeneous lighting diffusion.
- LEDs are directly applied to the frame. Osram branded quality LEDs are used.
- The frame itself is 100% waterproof. It is not snap open but with the elastic rope hinges the covers of frames can be opened and secured by 6 locks each frame (in total 12 locks on middle part of the frame). The mounting of the poster is very simple by inserting the poster upwards, into the metal clamps.
- Weight of water filled base is 40 kg. This new base is totally a brand new design with its flat look. Water can flow away over the surface easily.
WARNING: Do not keep the base in water more than 10 cm as it may let the water in battery compartment.
- Battery is hidden and not visible from outside. The battery compartment is in the base and waterproof because of its unique rubber sealed lockable cover. Standing Water around the cover can easily flow up via drainage holes. The compartment is easily secured by lock. When customer opens the cover they will see the label with remarks and indications on the battery.
- The battery is also a very ingenious and a unique power supply solution. It's a Life PO4 rechargeable, 25,6 Volt, 10 A battery. It is widely known for due to its high durability as well as unrivalled reliability. Output is DC as all batteries. First test results for operation is between -10/ +45 degrees Celsius.
- The customer has 2 options for adjusting the brightness using the remote control. The duration of the battery will depend on the lighting mode used:
100 % = Bright mode - up to 9 hours (2000-2200 Lux)
50 % = Energy saving mode - up to 18 hours (1000-1100 Lux)
- The battery will be shipped at full capacity. Before the delivery, it will be fully charged and discharged twice in our factory so that it will be ready for use with maximum capacity with a long lasting performance. Every battery will be checked before leaving the factory. No sample or batch monitoring but 100% control to ensure the quality.
- There is a Digital LED indicator for battery level. It will change color from green to yellow and finally to red as the battery drains. But there



is an excellent feature about this power supply. The customer will never have a fade out effect in the lighting as the battery drains. The built in circuit will cut off the power automatically as the power will drain to an insufficient level to provide above mentioned brightness values.

- 5-6 hours necessary to fully charge the battery with a lifecycle of more than 1500 charges.
- Delivered with one battery. It is recommended to have a second one in order to keep the power up while the former one is being charged.
- Battery cannot be recharged in the product; it has to be taken out of the product and be recharged separately with charging unit.

Lithium Battery

MODEL: Nominal Voltage : 25.6 V
Nominal Capacity : 10Ah

ATTENTION

- Do not connect the positive terminal and the negative terminal, this is directly off the battery.
- Storage temperature shall be at 0~25°C
- Working temperature shall be at -10~+45°C
- Do not place battery under high temperature or immerse in water, acidic liquid etc.
- Please use specified charger to charge battery.
- Battery standard charge time is between five to six hours.
- Do not give battery impact or fling it.
- If battery is not to be used for long period of time, please charge the battery every six months.

SAFETY INSTRUCTIONS

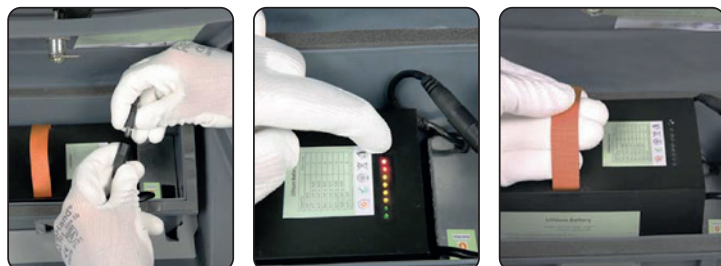
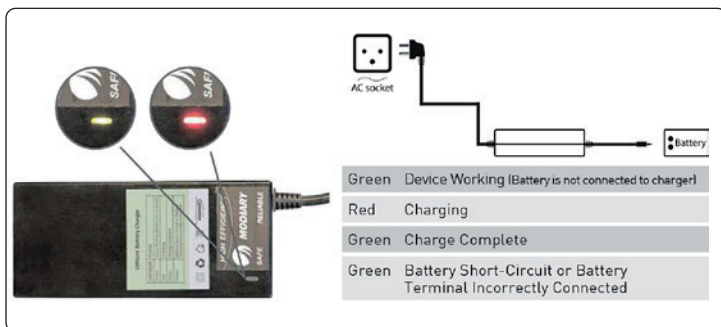
When using Illuminated WindPro with LED, basic safety precautions should always be followed, incl. the following:



Battery Instructions:

- In case you observe abnormality on the battery, contact to your supplier
- Store the battery full for long period of non-use. Otherwise the battery maybe out of use completely.
- Store the battery in room temperature of 23 degrees (+/-2)
- When used correct, battery can be rechargeable min 1500 times
- Working environment temperature should be between -10° to +50°.
- Do not keep the battery in high temperature, water or in acid
- Avoid any damage on battery
- Do not touch or connect negative and positive cables. In case of any connection, the battery will block off itself. However it may still cause excess heat or chemical reaction.
- Use only its charger to charge the battery
- Time to charge battery is approximately 5-6 hours
- When battery is fully charged, remove from the charger. Otherwise it may shorten the lifetime of battery
- When Illuminated WindPro with LED is not in use, remove the battery.
- Do not keep battery in microwave or under high pressure. This may result in damaging the battery or exposure of battery.
- Do not use the battery in case of any smoke, heat or damage.
- In case for long period of non-use, recharge the battery in 3 months.

Charge	0 °C to +40 °C
De-charge	-10 °C to +60 °C
Storage (less than 30 days)	-20 °C to 0 °C
Storage (less than 90 days)	+23°C±2



SPECIFICATIONS

Battery Charge Indicator

Do not hold the indicator button. It may result in malfunctioning of indicator

Number	Battery occupancy rate
1 =	< 15 % power left
2 =	15 - 29 % power left
3 =	29 - 43 % power left
4 =	43 - 57 % power left
5 =	57 - 71 % power left
6 =	71 - 85 % power left
7 =	85 - 99 % power left
8 =	> 99 % power left

Battery Charger Instructions

- Make sure battery connected to charger properly
- Lithium charger should only be used for the right battery provided by the manufacturer of WindPro with LED.
- Charger should only be used indoor and dry conditions
- Charger cannot be repaired. In case of any damage, it should not be used again to avoid malfunction the battery.
- Charger should be plug into regular electricity sockets. Charger has ability to adjust voltage

Use Instructions

1. Connect the battery into charger
2. Plug the battery into power socket. The indicator light will turn in red
3. Battery is fully charged when the indicator is green. Then first plug out the charger from socket and then remove the battery.

INSTRUCTION MANUAL

1. Assembly of Waterbase and Frame

Slide the springs of frame in the waterbase. Product should be leaned on its side and fixed with nuts at bottom (look at the photos above). After fixing, put the product in vertical position again. Connect the cable from the frame and energy cable from the battery.



2. Filling up the Waterbase

After the assembly, use supplied tool to open the cap on water base. A funnel should be used to fill the water base with water.

3. Instructions to open the battery compartment

The battery is safe in a lockable battery compartment. You can open the compartment as shown on the pictures. Open the lock with the key of the compartment. After you unlocked the compartment, you can open the cover.

4. Instructions to plug in and unplug the battery

After opening the battery compartment cover, plug in the power cable into the contained power cable of the switching circuit as shown on the pictures. You can check the charge level of the battery with the LED's on the battery. Please press the indicator button for 1 second to see the charge level. To load the battery please make sure that you unplug the power cable of the switching circuit. With the handle you can take the battery out.





5. Instruction of poster replacement

Product have 12 locks as 6 locks on each sides. In order to change the poster these locks should untightened. Then open the frame cover. It will be balanced due to stabilization of elastic rubbers. There are two poster holders.

WARNING! Do not tighten the locks too much on the frame. Do not pull out the covers more than 45° angle.

6. There are two operating modes

Energy saving (50 %) and bright mode (100 %) - which can be controlled using the remote control. When not in use the sign can be turned off using the button next to the battery - which has two symbols:

0 = off / I = on



7. Product carrying

WindPro with LED has carrying tool which designed specially for this product. It can be moved easily by the tool.



WARRANTY CONDITIONS

LED Wind-Sign Waterbase is warranted against manufacturing faults when used in the below mentioned conditions for the period of one year. We undertake to repair or replace the product at no charge if found to be defective due to a manufacturing fault during the warranty period. The warranty excludes damage caused by misuse, neglect, shipping accident, incorrect installation, and no fault found with the product or work carried out by anyone other than we assigned. We are not responsible for loss of the product, or for other incidental, special or consequential damages or expenses incurred by the purchaser, or for labor or other costs due to installation or removal, or cost of repairs by other or for any other expenses not specifically stated above. The warranty is in effect for the period and usage described above from the date of purchase. We can supply parts and accessories after warranty expires.

To claim your warranty

1. Please contact your distributor or reseller and explain the nature of the problem with photos of the product which shows clearly defect and the environment it has been used.
2. Provide your supplier batch number on LED Wind-Sign Waterbase and proof of purchase.
3. You will be required to fill up a form for your claim.
4. If the claim is within the warranty period and within the terms of the warranty, makes arrangements for service and repairs or a replacement product with your distributor or reseller after manufacturer confirms it is manufacturing defect.
5. It is user's responsibility to return the product to distributor or reseller.

Transport

Use the original packing materials by transport - inner and outer cartons. If the original packaging is no longer available, use bubble wrap and insert the product in a carton which holds at least 40 kg. Important: Any damage in transit, including scratches, breaks and indentation in the housing of the product is NOT covered by this warranty.

NOTE: The use of chlorine or related products for cleaning can seriously damage the finish and function on the aluminium and plastic surfaces.

NEW 2018

Explanation

- After the LED system update, it works between 22V to 30V.
- Operation time (illumination time) of battery is increased by 50%

Result

The parts of old version (top side and bottom side) is not supported new version cause of difference of voltage.